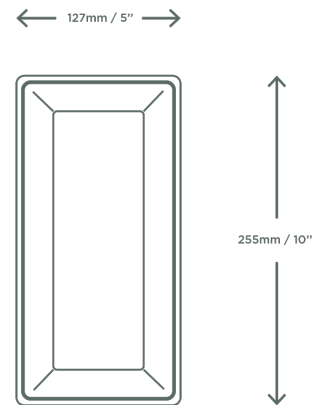


Item code EPP024NFA

Description rectangular plate - 255x127mm



Item specifications	
material	moulded fibre
weight	17.0
plastic content (g)	
colour	white
origin	CN
HS code	48236910
Pack specifications	
pcs / pack	50
pack type	PE bag
pack total wt	855.4
Case specifications	
packs / case	10
pcs / case	500
case dim. (mm)	350x280x280
case volume	0.02744
case gross (kg)	9.4
case net (kg)	8500
GTIN-14 code	00644632011739
Use and storage conditions	
microwave/oven	yes, 1300w/4min / max. 200°C/2h.
dishwasher	no
storage conditions	store dry and cool

EURO pallet (120x80x220cm)	
cases / layer	8
layers / pallet	7
cases / pallet	56
pallet ht & wt	977kg - 210.4cm
pcs / pallet	28000
Industrial pallet (120x100x220cm)	
cases / layer	11
layers / pallet	7
cases / pallet	77
pallet ht & wt	1334kg - 210cm
pcs / pallet	38500
Packaging material	
item material code	PAP 21
pack material	PE bag
pack material (g)	54.0
case material	Corrugated cardboard
case material (g)	850
pallet wrap material	LDPE
wrap euro pallet (g)	190
wrap UK pallet (g)	220

© 2019–2025 Eco-Products Europe

Product meets the requirements of EC 2023/2006 on Good Manufacturing Practices and framework regulation 1935/2004 (EC). This item is BPI and EN13432 certified compostable.

Eco-Products Europe
 Schaapherderhof 9
 2988 CP Ridderkerk
 The Netherlands

Tel: +31 (0)85 049 99 00
 info.europe@ecoproducts.com
 ecoproductseurope.com

